

CANEC24021252902

2024 10 09

1

12

Jany Zhong

:

		SGS ID	
SN1	A1	CAN24-0212529-0001.C001	
SN2	A2	CAN24-0212529-0001.C002	,
SN3	A3	CAN24-0212529-0001.C003	

			MDL	A1	A2	A3
(OctaBB)	-	mg/kg	25	ND	ND	ND
(NonaBB)	-	mg/kg	25	ND	ND	ND
(DecaBB)	-	mg/kg	25	ND	ND	ND
(PBDE)	1000	mg/kg	-	ND	ND	ND
(MonoBDE)	-	mg/kg	25	ND	ND	ND
(DiBDE)	-	mg/kg	25	ND	ND	ND
(TriBDE)	-	mg/kg	25	ND	ND	ND
(TetraBDE)	-	mg/kg	25	ND	ND	ND
(PentaBDE)	-	mg/kg	25	ND	ND	ND
(HexaBDE)	-	mg/kg	25	ND	ND	ND
	-	mg/kg	25	ND	ND	
	-	mg/kg	25	ND	ND	
	-	mg/kg	25	ND	ND	
	-	mg/kg	25	ND	ND	
	-	mg/kg	25	ND	ND	
(DEHP)	1000	mg/kg	50	ND	ND	
	1000	mg/kg	50	ND	ND	
	1000	mg/kg	50	ND	ND	
	1000	mg/kg	50	ND	ND	
			MDL	A4	A5	
	1000	mg/kg	2	4	N	
	1000	mg/kg	2	ND		
	100	mg/kg	2	ND		ND
	1000	mg/kg	8	ND		ND
(PBB)	1000	mg/kg	-	ND		ND
(oBB)	-	mg/kg	25	ND		ND
)	-	mg/kg	25	ND		ND
)	-	mg/kg	25	ND		ND
(BB)	-	mg/kg	25	ND		ND
(aBB)	-	mg/kg	25	ND		ND
(BB)	-	mg/kg	25	N		ND
(aBB)	-	mg/kg	25			ND
(BB)		mg/kg	25		ND	ND
(BB)		mg/kg	25		ND	ND
(BB)		mg/kg	25		ND	ND
(BB)		mg/kg	25		ND	ND
(PBDE)		mg/kg	-		ND	ND
(monoBDE)		mg/kg	25		ND	ND
(BDE)						

			MDL	A4	A5	A6
(OctaBDE)	-	mg/kg	25	ND	ND	ND
(NonaBDE)	-	mg/kg	25	ND	ND	ND
(DecaBDE)	-	mg/kg	25	ND	ND	ND
(2-) (DEHP)	1000	mg/kg	50	ND	ND	ND
(BBP)	1000	mg/kg	50	ND	ND	ND
(DBP)	1000	mg/kg	50	ND	ND	ND
(DIBP)	1000	mg/kg	50	ND	ND	ND



CANEC24021252902

2024 10 09

5 12

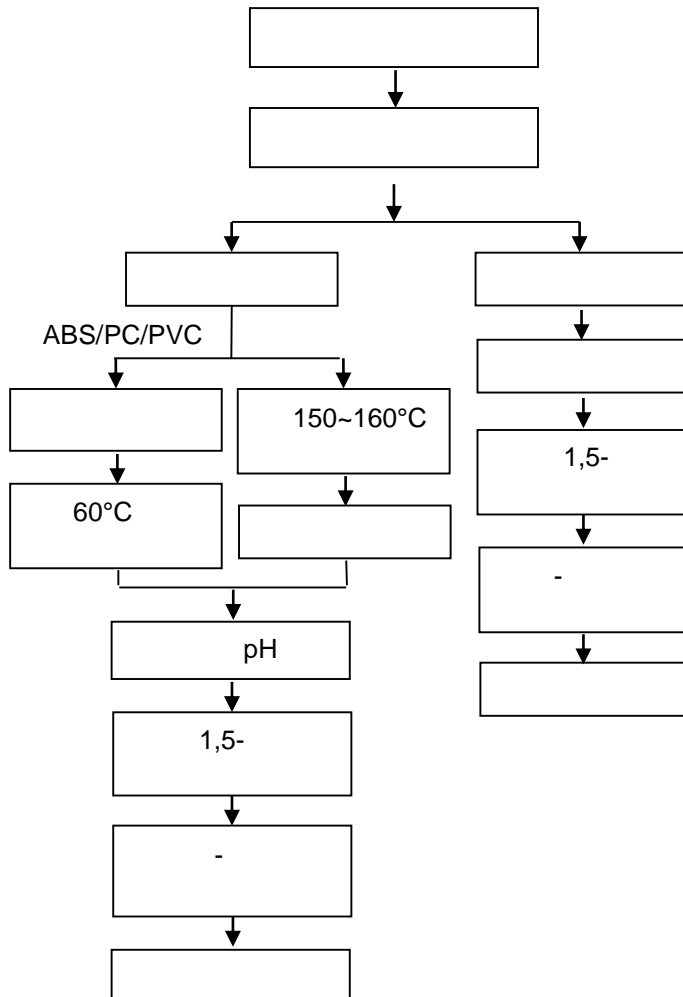
(3) 2021 7 22

DEHP BBP DBP DIBP

ILAC-G8:09/2019

w=0





PBB/PBDE/Phthalates

